

AS-HB

● High Frequency Response ● 98.07 to 490.3 m/s²

Small-sized High Frequency Response Acceleration Transducer



*TEDS-installed models are available. Inquiries are welcome.

Highly Accurate and Reliable Transducers with Wide Frequency Response Range

AS-HB series acceleration transducers provide twice wider frequency response range than AS-B series at maximum. Therefore, AS-HB series ensure more accurate acceleration measurements. It is easy to install AS-HB by using the adhesive CC-33A.

Specifications

Performance

Rated Capacity	See table below.
Nonlinearity	Within ±1% RO
Hysteresis	Within ±1% RO
Rated Output	0.5 mV/V ±20% but ±25% for ±98.07 m/s ²

Environmental Characteristics

Safe Temperature	-15 to 65°C
------------------	-------------

Electrical Characteristics

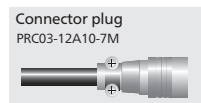
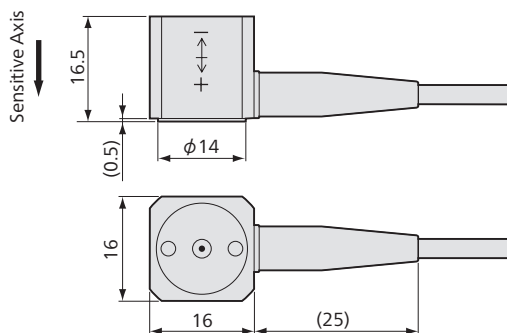
Safe Excitation	6 V AC or DC
Recommended Excitation	1 to 3 V AC or DC
Input Resistance	120 Ω ±8.3%
Output Resistance	140 Ω ±7.1%
Cable	4-conductor (0.08 mm ²) vinyl shielded cable, 3.2 mm diameter by 5 m long, terminated with connector plug PRC03-12A10-7M (Shield wire is connected to the case.)

Mechanical Properties

Safe Overloads	300%
Frequency Response	See table below.
Transverse Sensitivity	2% RO or less
Weight	Approx. 13 g (Excluding cable)

Models	Rated Capacity (Reference Value)	Frequency Response (At 23°C)
AS-10HB	±98.07 m/s ² (±10 G)	DC to 500 Hz ±5%
AS-20HB	±196.1 m/s ² (±20 G)	DC to 650 Hz ±5%
AS-50HB	±490.3 m/s ² (±50 G)	DC to 1.5 kHz ±5%

Dimensions



● Dynamic measurement

AS-HB Recommended products for combination

Strain Amplifier DPM-900 Series → 3-5

Signal Conditioner CDV-900A → 3-9

Compact Recording System EDX-10 series → 3-49

Universal Recorder EDX-100A → 3-63