

AS-TB

Triaxial Acceleration Transducer

- 98.07 to 490.3 m/s²
- Simultaneous Measurement of Acceleration in X, Y and Z Directions



*TEDS-installed models are available. Inquiries are welcome.

Compact and Lightweight Design and Simultaneous Measurement of Accelerations in X, Y, and Z Directions

AS-TB series acceleration transducers have 3 incorporated acceleration transducers to measure simultaneously 3 axial accelerations (X, Y and Z). Because of little interference among each axes, these series acceleration transducers enable accurate measurement and be applied to acceleration analysis of complex vibration phenomena.

Specifications

Performance

Rated Capacity	See table below.
Nonlinearity	Within ±1% RO
Hysteresis	Within ±1% RO
Rated Output	±0.5 mV/V ±20% but ±25% for ±98.07 m/s ²

Environmental Characteristics

Safe Temperature	-15 to 65°C
-------------------------	-------------

Electrical Characteristics

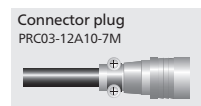
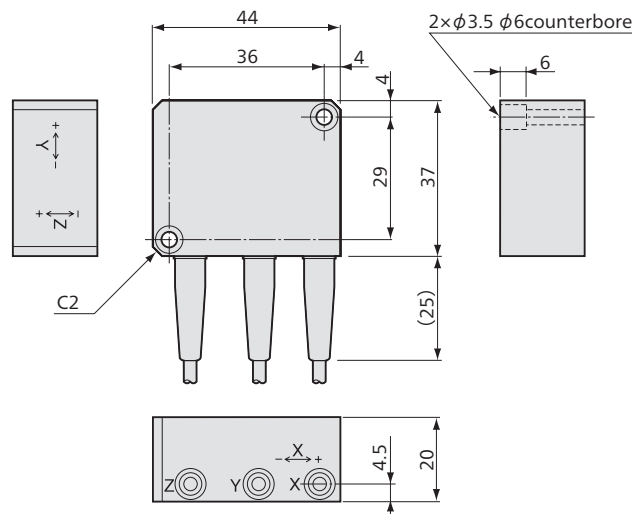
Safe Excitation	6 V AC or DC
Recommended Excitation	1 to 3 V AC or DC
Input Resistance	120 Ω±5%
Output Resistance	120 Ω±5%
Cable	4-conductor (0.08 mm ²) vinyl shielded cable, 3.2 mm diameter by 5 m long, terminated with connector plug PRC03-12A10-7M (Shield wire is connected to the case.)

Mechanical Properties

Safe Overloads	300% (Each axis)
Frequency Response	See table below.
Transverse Sensitivity	2% RO or less
Weight	Approx. 95 g (Excluding cable)

Models	Rated Capacity (Reference Value)	Frequency Response (At 23°C)
AS-10TB	±98.07 m/s ² (±10 G)	DC to 350 Hz ±5%
AS-20TB	±196.1 m/s ² (±20 G)	DC to 500 Hz ±5%
AS-50TB	±490.3 m/s ² (±50 G)	DC to 1 kHz ±5%

Dimensions



● Dynamic measurement

AS-TB Recommended products for combination

Strain Amplifier
DPM-900 Series
→ 3-5

Signal Conditioner
CDV-900A
→ 3-9

Compact Recording System
EDX-10 series
→ 3-49

Universal Recorder
EDX-100A
→ 3-63

