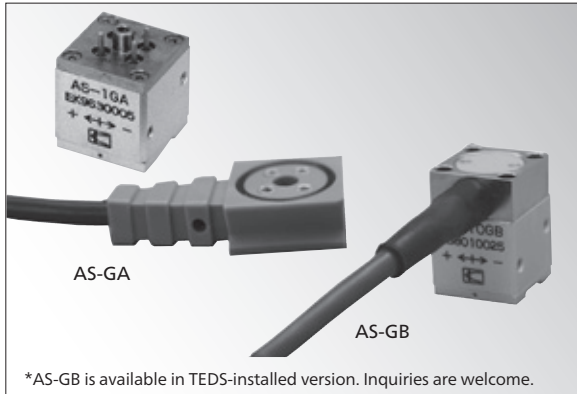


# AS-GA/GB

● 9.807 to 196.1 m/s<sup>2</sup>

## Small-sized Small-capacity Acceleration Transducer

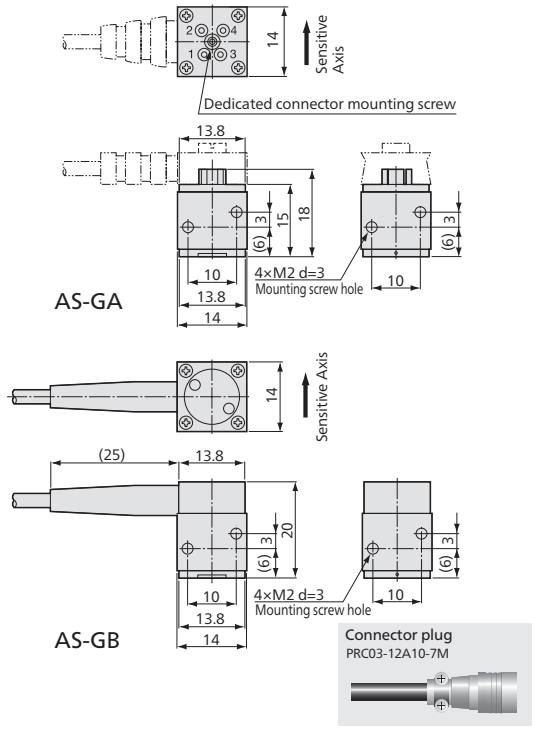


\*AS-GB is available in TEDS-installed version. Inquiries are welcome.

### Compact & Lightweight Easy to Use Suitable for Measurement of Vibration of Model Structures and in the Field of Human Engineering.

Using a strain gage as the sensing element, AS-GA and AS-GB series acceleration transducers are designed to measure small levels of acceleration. The compact & lightweight design makes them widely used for measurement of vibration in small structures or scale models as well as in the field of human engineering. AS-GA series comes with hermetic terminal and AS-GB series are integrated with cable. A convenient mount base to facilitate installation.

#### ■ Dimensions



#### Specifications

Performance	
Rated Capacity	See table below.
Nonlinearity	Within ±1% RO
Hysteresis	Within ±1% RO
Rated Output	0.5 mV/V or more

#### Environmental Characteristics

Safe Temperature	-15 to 65°C
------------------	-------------

#### Electrical Characteristics

Safe Excitation	6 V AC or DC
Recommended Excitation	1 to 3 V AC or DC
Input Resistance	121 Ω±1.7%
Output Resistance	121 Ω±1.7%
Cable	4-conductor (0.08 mm <sup>2</sup> ) vinyl shielded cable, 3.2 mm diameter by 5 m long, terminated with connector plug PRC03-12A10-7M; and with dedicated removable connector at the other end for AS-GA (AS-GA: Shield wire is not connected to the case.) (AS-GB: Shield wire is connected to the case.)

#### Mechanical Properties

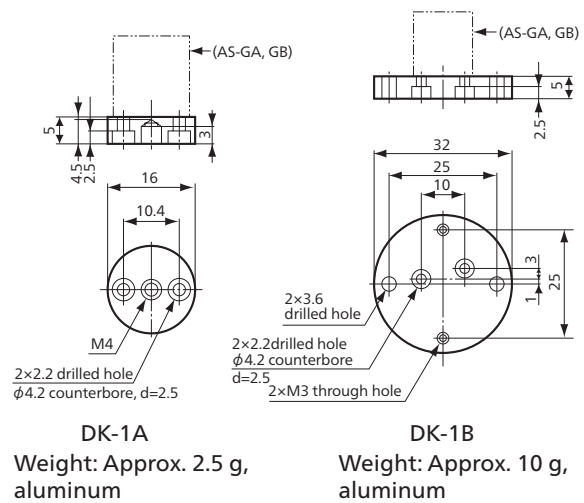
Safe Overloads	300%
Frequency Response	See table below.
Transverse Sensitivity	4% RO or less
Weight	Approx. 15 g for AS-GA (Excluding cable) Approx. 25 g for AS-GB (Excluding cable)

Models	Rated Capacity (Reference Value)	Frequency Response (At 23°C)
AS-1GA, GB	±9.807 m/s <sup>2</sup> (±1 G)	DC to 40 Hz ±5%
AS-2GA, GB	±19.61 m/s <sup>2</sup> (±2 G)	DC to 60 Hz ±5%
AS-5GA, GB	±49.03 m/s <sup>2</sup> (±5 G)	DC to 100 Hz ±5%
AS-10GA, GB	±98.07 m/s <sup>2</sup> (±10 G)	DC to 150 Hz ±5%
AS-20GA, GB	±196.1 m/s <sup>2</sup> (±20 G)	DC to 250 Hz ±5%

Note: To install AS-GB, use CC-33A adhesive or optional mount base (See figures below).

The acceleration transducer is subject to a constant acceleration in the direction of gravity, therefore measurement is restricted, taking into account this vertical movement (9.807 m/s<sup>2</sup>). For the AS-1GA/1GB, if sensitivity is set in line with the direction of gravity, then the rated capacity will be exceeded. As long as the safe overload rating is not exceeded, there will be no damage, but characteristics will be outside the guaranteed range.

#### ■ Mount Base



DK-1A  
Weight: Approx. 2.5 g, aluminum

DK-1B  
Weight: Approx. 10 g, aluminum

#### ● Dynamic measurement

AS-GA/GB  
Recommended  
products for  
combination

Strain Amplifier  
DPM-900 Series  
→ 3-5

Signal Conditioner  
CDV-900A  
→ 3-9

Compact Recording System  
EDX-10 series  
→ 3-49

Sensor Interface  
PCD-400A  
→ 3-77