

Pen-type
Non-contact Infrared
Thermometer

THERMO-HUNTER

PT-3S

ϕ 2.5mm spot

of heat is measured.

**Audible focussing
guide** lets you
know the best
focus lighten up
with **LED marker**.



PHOTO: Actual Size

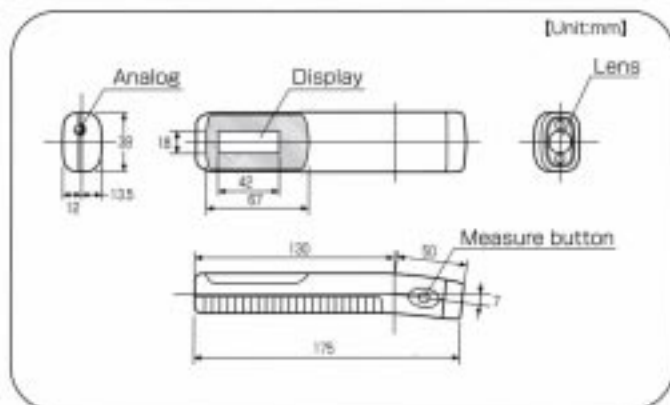
Typical Application

**Electric
PC.Board**

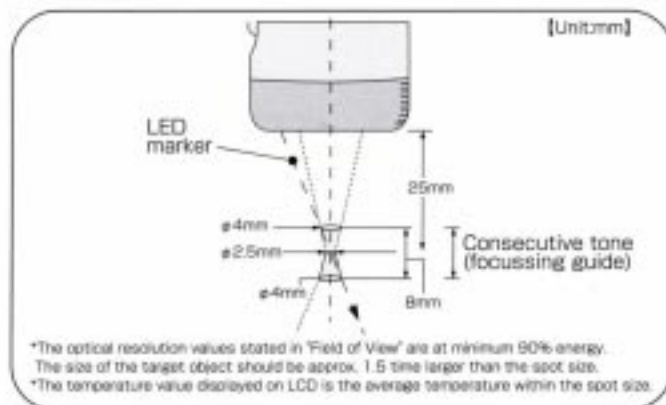
- Minimum Spot Size : ϕ 2.5mm
- Audible Focussing Guide
- LED Spot Marker
- Display Range : -30 to 230°C
- Resolution : 0.1°C/°F
- Repeatability : \pm 1°C
- Analogue Output : (1mV/°C)



Dimensions



Field of View



Specifications

Model	PT-3S
Measuring range	0 to 200°C
Display range	-30 to 230°C
Field of view	φ2.5/25mm
Sensing element/ Wavelength	Thermopile/ 8 to 14 μm
Response time	1.5sec./90%
Accuracy (ε=0.95 at 25°C±3°C)	±3°C of reading value
Repeatability	±1°C of reading value
Sighting method	Red LED spot marker
Display resolution	-30.0 to 199.9°C : 0.1°C 200 to 230°C : 1°C

Emissivity (ε) adjustment	DARK/BRIGHT (Switchable)
Temperature unit	°C/°F (Switchable)
Analog output	1mV/°C(°F)
Hold function	Normal/Max (Switchable)
Power supply	AAA alkaline dry battery x 3piece
Battery life	Approx. 40 hours with alkaline battery
Ambient temperature	0 to 50°C
Weight	120g

Standard accessories: AAA alkaline dry battery x 3piece, Analog output cable x 1, Pouch x 1
Optional accessories: Flexible stand: S-01, Black tape: HB-100
*Specifications are subject to change for product improvement without prior notice.

Easy operation (1 shot mode)



- 1 Press the Measure button to turn on the power.



- 2 Bring PT-3S close to the object with pressing the button for measurement. Consecutive tone guides you to optimum focus and distance.



- 3 The best focus of φ2.5mm spot is lightened up with LED when the marker looks clearest in the measuring distance of 25mm.



- 4 The display is held by releasing the button.

Option

Flexible Stand S-01



Black Tape HB-100

[Basic Usage and Principles]

(Hint for accurate measurement)
The black tape (HB-100) is designed for more accurate measurement, especially if the target object has a shiny surface.
Apply HB-100 on the surface of the target and measure the area covered by HB-100 with emissivity setting at 0.95.

●Dimensions: 60 x 2000mm
*Withstand heat up to 150°C



CAUTION

This product is not a clinical thermometer, therefore, can not be used for medical purposes.

Environmental Warnings

- ⚠️ **AVOID GETTING THE THERMOMETER WET. DO NOT USE IN WATER.**
This thermometer is not waterproof.
- ⚠️ **KEEP THE THERMOMETER AWAY FROM STRONG ELECTROMAGNETIC SOURCES.**
Usage in such environments may cause irreparable damage or incorrect measurement.
- ⚠️ **KEEP THE THERMOMETER AWAY FROM DIRECT SUNLIGHT, DUST, HIGH TEMPERATURES AND HIGH HUMIDITY DURING USE AND STORAGE.**
This may cause irreparable damage or incorrect measurement.

Usage Warnings

- ⚠️ **AVOID MEASURING SHINY OBJECTS.**
Shiny objects, of which emissivity value is low, reflect surrounding temperatures. As this thermometer's sensitivity to emissivity is fixed at 0.95/0.85, the displayed temperature could differ from the actual temperature of objects, which has different emissivity value. When you wish to measure shiny object like metals, put a piece of optional black tape or apply black paintmarker on the surface of the measuring object.
- ⚠️ **DO NOT LET THE THERMOMETER TOUCH THE OBJECT THAT IS BEING MEASURED.**
The unit is a non-contact thermometer's. Touching or getting too close to the objects with high temperatures may cause irreparable damage or incorrect measurement.



OPTEX

OPTEX CO.,LTD.

4-7-5 Nionohama Otsu 520-0801 Japan
TEL: +81-77-524-6049 FAX: +81-77-524-1491
URL: www.optex.co.jp

70626-07-71144-0101