

## Corrosion-resistant Compression Load Cell



\*TEDS-installed models are available. Inquiries are welcome.

**Suited for Weighing in Food Processing or Where They are Exposed to Corrosive Liquid and Gas.**

- Corrosion-resistant
- Hermetically-sealed structure with inert gas filled in
- High overload rating of 400%

The hermetically-sealed stainless steel structure with inert gas filled in enables use for weighing in food processing or where they are exposed to corrosive liquid and gas. The high overload rating minimizes the ratio of breakdown due to overload.

### Specifications

#### Performance

Rated Capacity	See table below.
Nonlinearity	Within $\pm 0.5\%$ RO
Hysteresis	Within $\pm 0.5\%$ RO
Repeatability	0.1% RO or less
Rated Output	1 mV/V $\pm 0.2\%$

#### Environmental Characteristics

Safe Temperature	-35 to 80°C
Compensated Temperature	-10 to 70°C
Temperature Effect on Zero	Within $\pm 0.005\%$ RO/°C
Temperature Effect on Output	Within $\pm 0.005\%$ /°C

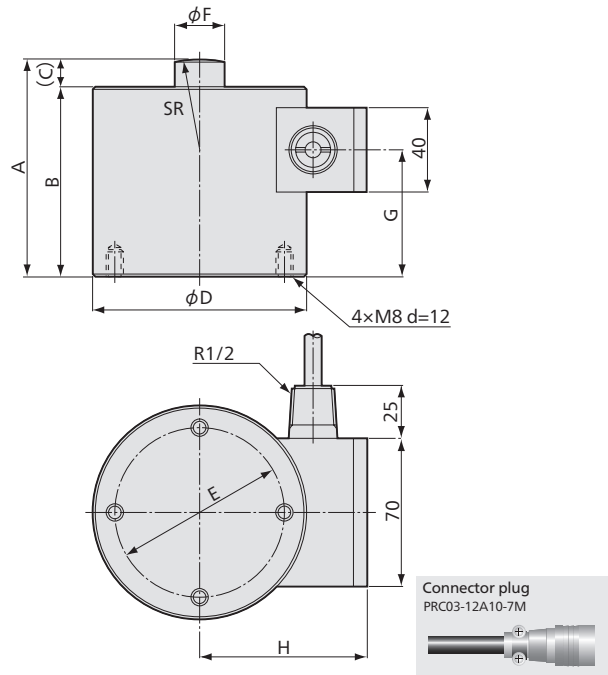
#### Electrical Characteristics

Safe Excitation	20 V AC or DC
Recommended Excitation	1 to 12 V AC or DC
Input Resistance	350 $\Omega \pm 0.5\%$
Output Resistance	350 $\Omega \pm 0.5\%$
Cable	4-conductor (0.3 mm <sup>2</sup> ) chloroprene shielded cable, 7.6 mm diameter by 5 m long, terminated with a connector plug PRC03-12A10-7M (Shield wire is connected to the case.)

#### Mechanical Properties

Safe Overloads	400%
Natural Frequencies	See table below.
Weight	See table below.

#### Dimensions



Models	Rated Capacity	Natural Frequencies	A	B	C	$\phi D$	$\phi E$	$\phi F$	G	H	SR	Weight*
LC-500KJ	5 kN	$\approx 5.2$ kHz	103	90	13	100	80	24	60	77	50	$\approx 3$ kg
LC-1TJ	10 kN	$\approx 6$ kHz									70	
LC-2TJ	20 kN	$\approx 5.8$ kHz									70	
LC-5TJ	50 kN	$\approx 5.7$ kHz	110	95	15	120	90	36	80	90	100	$\approx 5$ kg
LC-10TJ	100 kN	$\approx 5.5$ kHz									130	
LC-20TJ	200 kN	$\approx 6$ kHz									135	

\*Excluding cable

- Physical quantity indication
- Static measurement
- Dynamic measurement

LC-J Recommended products for combination

- Instrumentation Amplifier WGA-900A → 3-95
- Data Logger UCAM-60B → 3-25
- Strain Amplifier DPM-900 Series → 3-5
- Universal Recorder EDX-200A → 3-55
- Universal Recorder EDX-100A → 3-63
- Sensor Interface PCD-400A → 3-77

