

LCR-G-SA2

● $\phi 20$ or $\phi 25$ ● 10 kN to 50 kN

Small-sized large-capacity Compression Load Cell



Compact Lightweight Large Capacity Measurement for Cylinder.

Since the diameter is small and the cable comes from the bottom, LCR-G-SA2 series load cells are inserted into cylindrical objects for measurement.

Specifications

Performance

Rated Capacity	See table below.
Nonlinearity	Within $\pm 1\%$ RO
Hysteresis	Within $\pm 1\%$ RO
Rated Output	1 mV/V or more

Environmental Characteristics

Safe Temperature	-10 to 70°C
Compensated Temperature	0 to 60°C
Temperature Effect on Zero	Within $\pm 0.1\%$ RO/°C
Temperature Effect on Output	Within $\pm 0.05\%$ /°C

Electrical Characteristics

Safe Excitation	7 V AC or DC
Recommended Excitation	1 to 2 V AC or DC
Input Resistance	350 Ω $\pm 5\%$
Output Resistance	350 Ω $\pm 5\%$
Cable	4-conductor (0.05 mm ²) chloroprene shielded cable, 3 mm diameter by 5 m long, terminated with a connector plug PRC03-12A10-7M (Shield wire is not connected to the case.)

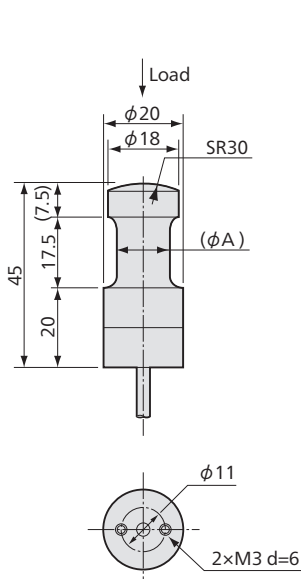
Mechanical Properties

Safe Overloads	120%
Weight	See table below.
Materials	Metallic

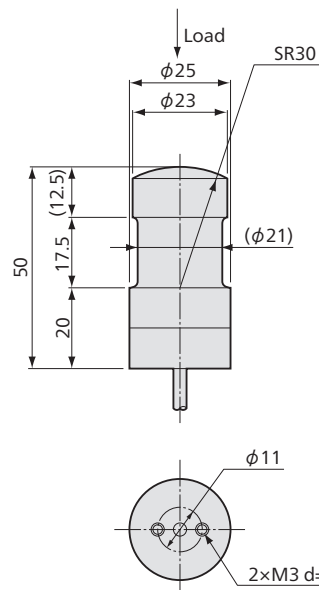
Models	Rated Capacity	Weight *
LCR-G-10KNSA2	10 kN	≈ 100 g
LCR-G-20KNSA2	20 kN	
LCR-G-30KNSA2	30 kN	
LCR-G-50KNSA2	50 kN	≈ 130 g

*Excluding cable

■ Dimensions

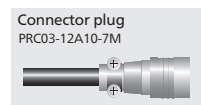


LCR-G-10KNSA2 to 30KNSA2



LCR-G-50KNSA2

Models	ϕA
LCR-G-10KNSA2	11
LCR-G-20KNSA2	14
LCR-G-30KNSA2	16.5



● Physical quantity indication

LCR-G-SA2 Recommended products for combination

- Instrumentation Amplifier WGA-900A → 3-95
- Instrumentation Amplifier WGA-680A → 3-97
- Instrumentation Amplifier WGA-100B → 3-108
- 4-Channel Signal Conditioner WGC-140A → 3-110
- Measuring Instrument Controller WDC-810C1 → 3-114