

PI CA40-VDC

PI CA40-VDC

DESCRIPTION

INDICATOR FOR DC MEASUREMENT IN THE RANGE OF: 8 to 30 VDC

**48 x 24 mm front panel
Length 40 mm**

- No auxiliary supply needed, self-powered from the voltage to measure
- designed for a **specific** nautical field application: measurement of batteries voltage

PICA40-VDC



TECHNICAL CHARACTERISTICS

VOLTAGE INPUT

Range 8 to 30 V DC
Resolution..... 0.1 V

ACCURACY at 23°C ±5° C

Max error..... ±(0.1 % of reading + 3 digits)
Temperature coefficient..... 100 ppm/°C
Warm up 5 minutes

POWER SUPPLY

self-powered from the voltage to measure
Consumption ≤ 20 mA
Fuse recommended (not supplied) F 0,5 A

CONVERSION

Technical Single Slope
Resolution 14 bits
Reading rate 166/ s

DISPLAY

Fixed range..... 8.0 to 30.0
Type..... 3 red digits 10 mm
Reading rate presentation..... 2/ s
Overflow indication..... **OL**

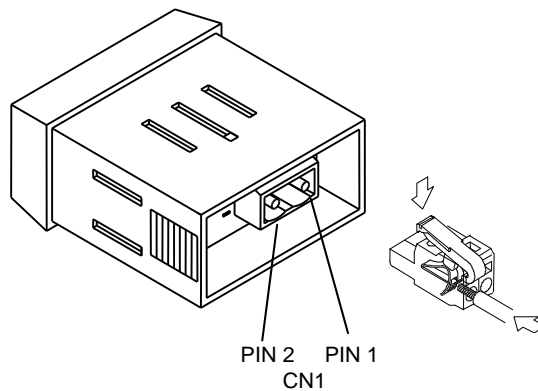
ENVIRONMENTAL

Operating temperature -10 °C ÷ +60 °C
Storage temperature -25 °C ÷ +85 °C
Relative humidity (non condensed)..... <95 % ÷ 40 °C
Maximum altitude..... 2000 m.
Panel sealing..... IP65

DISPLAY

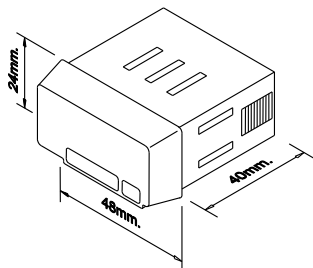
Display range: 8.0 to 30.0 V DC

CONNECTIONS



DIMENSIONS AND MOUNTING

Dimensions 48 x 24 x 40 mm.
Panel Cutout 22 x 45 mm.
Weight 50 g.
Case material Polycarbonate s/ UL 94 V-0



| CN1 | INPUT SIGNAL |
|-----|--------------|
| PIN | V DC |
| 1 | (+) |
| 2 | (-) |

